

Infrared Sauna

Operating instruction



Infrared makes life more healthy

Due to our continued product improvement, product illustrated on this instruction manual may vary slightly from the actual product.

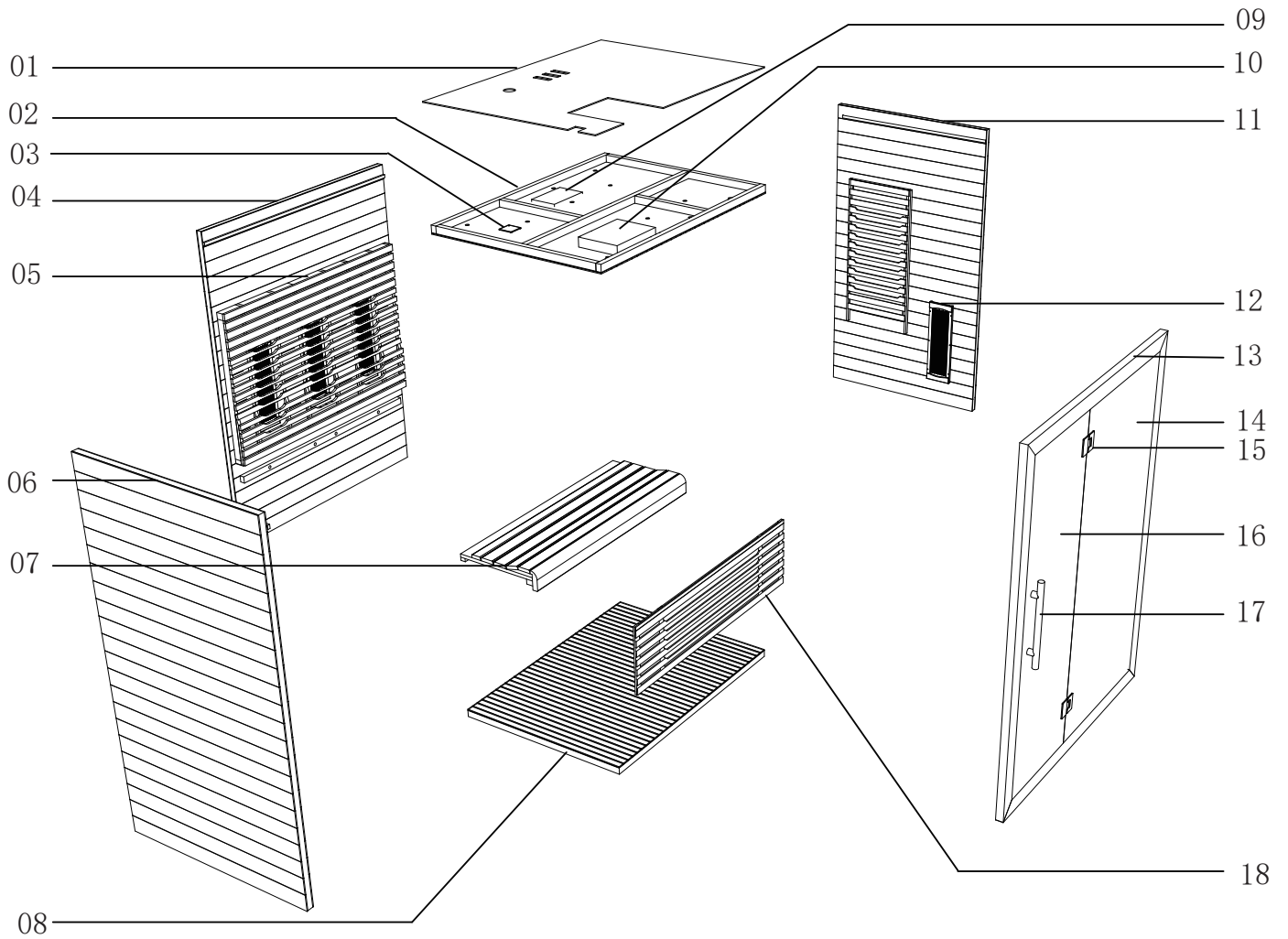
Important safety guides



Please strictly follow safety precautions when using!

1. Children must be using the equipment under the care of an adult. For safety, do not play with it;
2. Do not insert objects such as fingers or sticks into the heating tube plate to prevent danger;
3. Never pour water to the equipment or the heating pipe (board);
4. Do not use or store flammable gas or liquid such as hair spray, oil paint, gasoline, etc near the equipment to avoid fire;
5. Do not place items inside or on top of the sauna;
6. Do not touch the power control panel and any electrical components with wet hands to prevent electric shock;
7. It is forbidden to use the equipment during thunderstorms to prevent electric shock;
8. Do not tilt the equipment, do not use sharp objects to strike;
9. Shut down the equipment for half an hour after 4 hours continuous working;
10. Do not operate the equipment in a long-term high temperature environment;
11. Use with caution after drinking alcohol;
12. Those who have hemophilia or are prone to bleeding should avoid using it;
13. Please consult your doctor before using if you are in period of disease and taking medicine;
14. Do not use after intense exercise, wait until the body temperature returns to normal before using;
15. If you feel any discomfort, please stop using immediately;
16. Mind your head when get in and out of the equipment;
17. Do not sleep inside the equipment when it is working;
18. Do not use any bath products in the sauna;
19. To avoid burns, do not touch the heating element;
20. Please keep the seat timber dry to avoid damage!
21. Please keep the floor heater dry to avoid excessive sweat dripping off!
22. **WARNING:**Covering the heater or infrared emitter causes fire risk!
23. If you have any questions, please call the supplier.

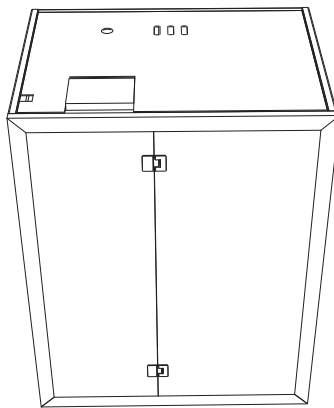
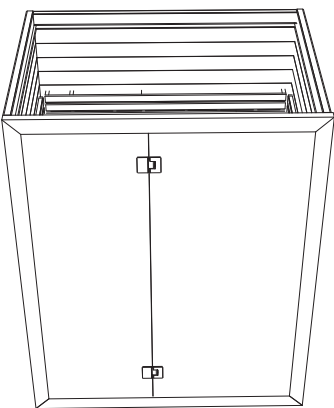
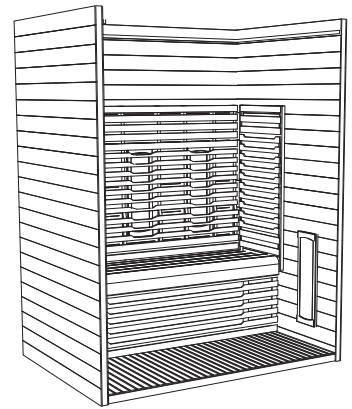
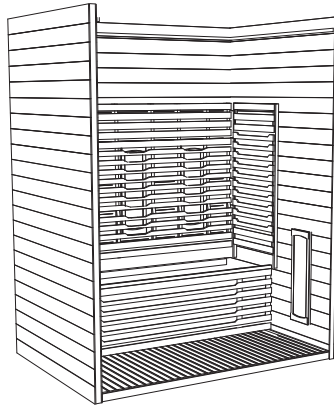
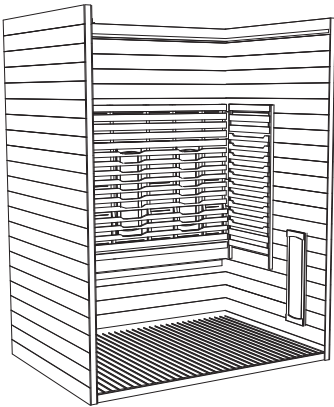
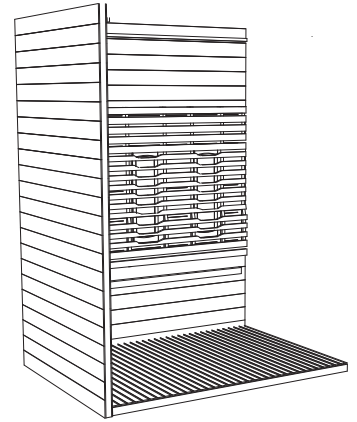
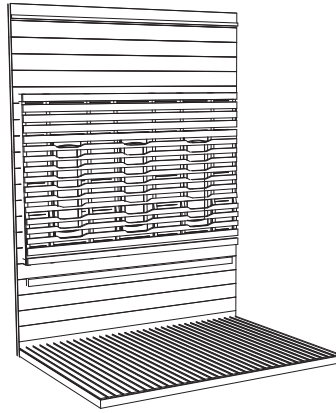
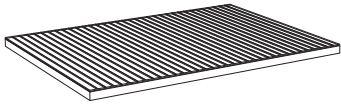
Structure of infrared sauna



1	Duster cover	6	Left board	11	Right board	16	Glass door
2	Top board	7	Bench	12	Heating element	17	Handle
3	Main Power Switch	8	Bottom board	13	Door frame	18	Bench front board
4	Back board	9	Ventilation	14	Window glass	19	
5	Backrest	10	Control box	15	Hinge	20	

* The structure may vary from different models. Due to our continued product improvement, product illustrated on this instruction manual may vary slightly from the actual product.

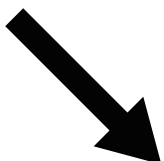
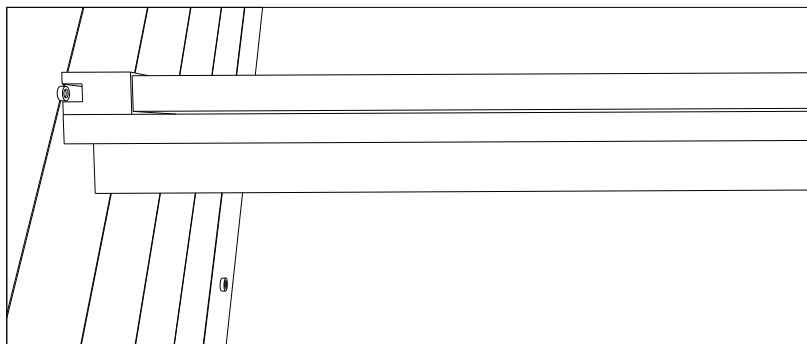
Installation process



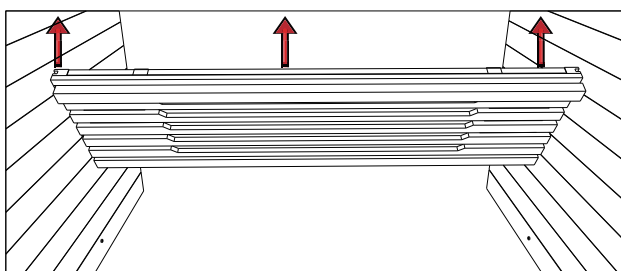
* The structure may vary from different models. Due to our continued product improvement, product illustrated on this instruction manual may vary slightly from the actual product.

Installation of bench and bench support

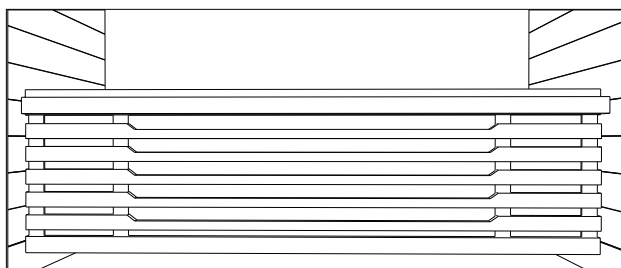
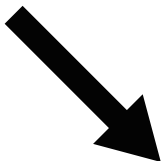
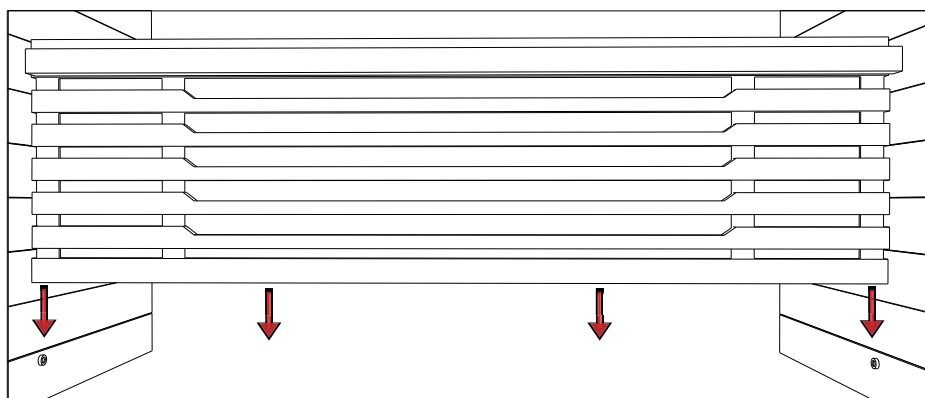
Insert the bench support into the upper axle bearing of the side panel



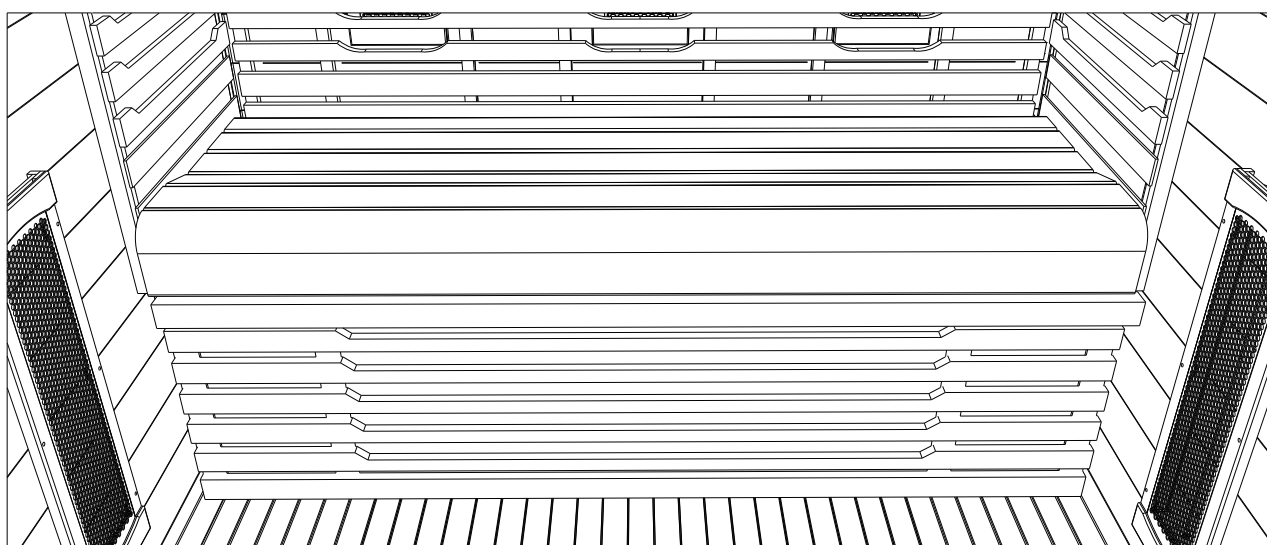
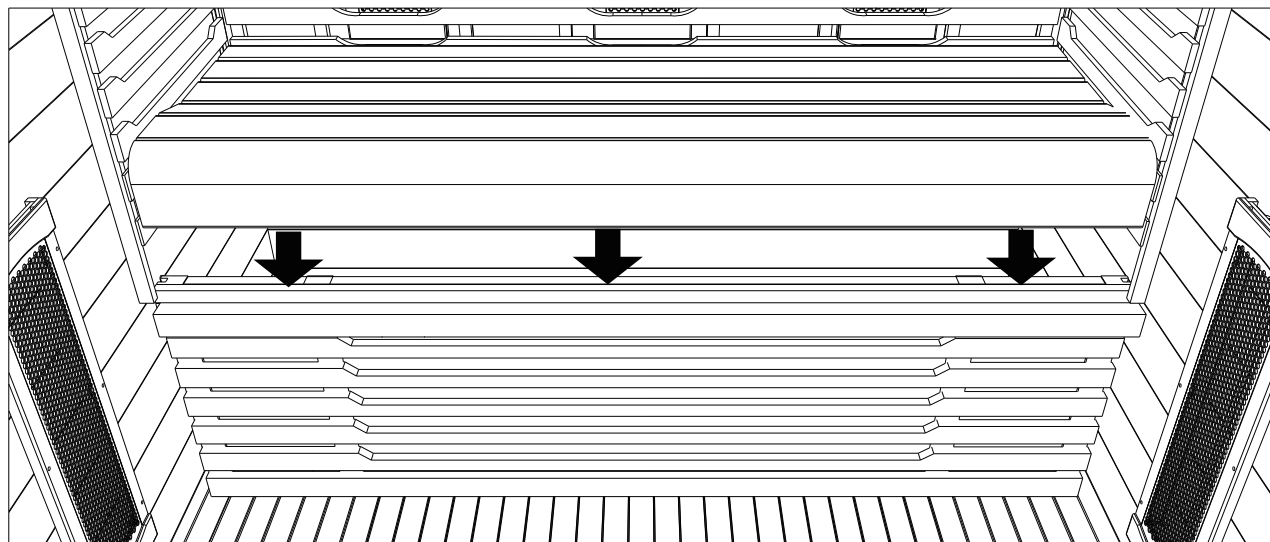
Lift the bench support slightly upwards



Insert bench support into the lower bearing on the side panel together



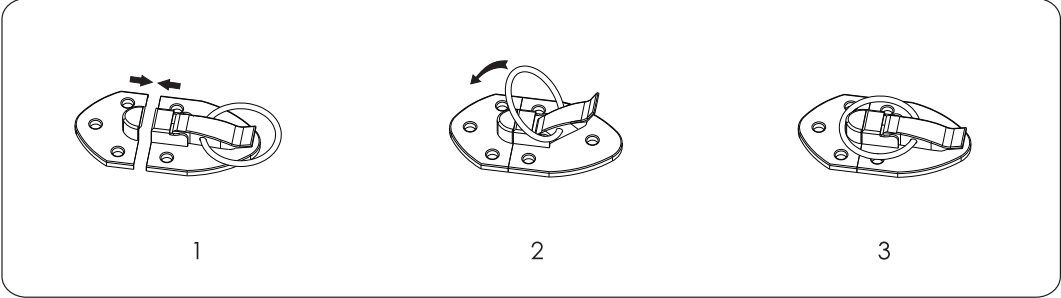
Place the bench on the support frame



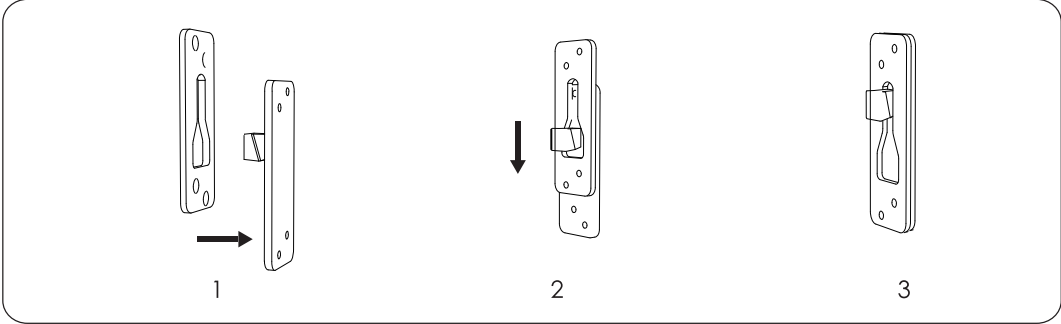
Installation precautions

Large plate assembly

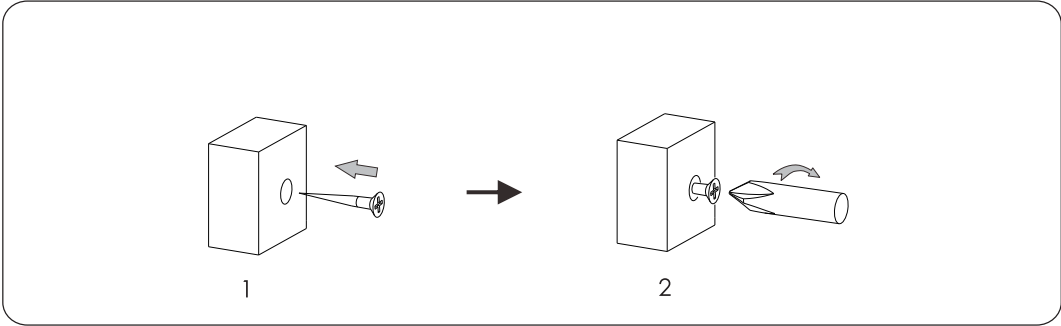
Outer buckle installation method



Hanging buckle installation method



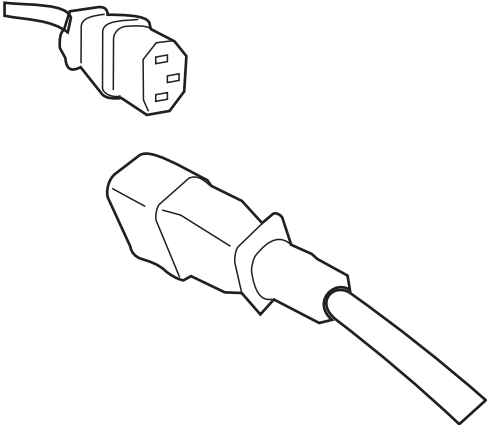
Screw connection installation method



Installation precautions

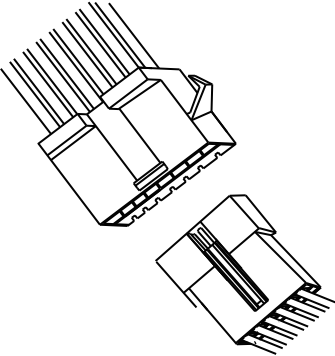
Electrical connection

1



Conection cable

2



Connection plug

Operation

1. Precautions

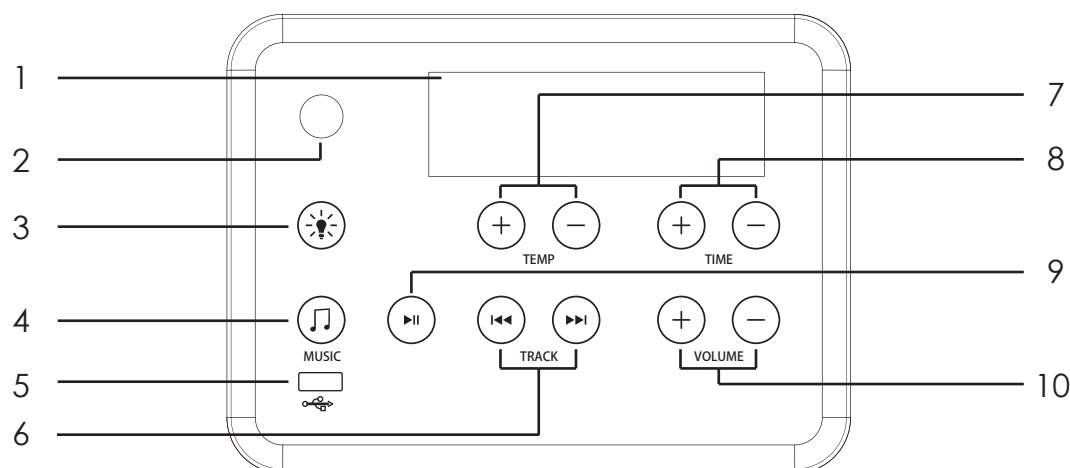
- a. Check all the circuitry and the plug meet all requirements.
- b. Set the temperature and time to a comfortable level.
- c. Drink a cup of water before the sauna session.
- d. After 2 hours of continuous use, shut the sauna down for one hour.
- e. To avoid burns, do not touch the heating element.
- f. **WARNING:** Covering the heater or infrared emitter causes fire risk!

2. Operation

- a. Plug the sauna into a outlet which is stated in nameplate. Do not share the outlet with any other appliances.
Sauna should be unplugged when not in use.
- b. After your sauna session, turn off, and unplug the power cable.
- c. **DO NOT OPERATE THE SAUNA UNSUPERVISED
TO REDUCE THE RISK OF FIRE.**

Note: When the environmental temperature is low, the heating time will take longer. It is also possible the sauna temperature display is not able to reach its maximum temperature. This is normal and does not in any way affect the performance of the infrared heaters or their health benefits. the sauna temperature sensor only measures the heat radiated by the heating elements. It does not measure the infrared heaters penetrating heat and this is where most of the health benefits are.

Control panel operation



1 Display screen

For temperate,time,FM.

2 Power button

Touch this key to turn on or turn off it.

3 Light button

Touch the key to turn on/off the light inside of cabin .

4 Music button

Touch this key to adjust bluetooth, MP3 and FM.FM from 85.7-108.0M.

5 USB function

Touch this key to start USB function.

6 Song selection function

Press key upon the TRACK for last song and key for next one.

7 Temp control

Touch the '+' and '-' button to increase or decrease the temperature. If the 'heat' light is on, the temperature setting will increase one degree every time the '+' button is pushed. If pressed for three seconds, the setting will increase quickly. Decrease the temperature in the same manner by pressing the '-' button. After the sauna reaches the desired temperature, the 'heat' light turns off. The Fahrenheit and Centigrade display can be switched: press the temperature button "+" and "-" at the meantime.

8 Time control

Touch the '+' and '-' buttons to set the timer from 5 to 90 minutes. If pressed for three seconds, the timer will increase quickly. To extend the sauna session, reset the timer again.

9 Pause/Play

When music playing in this mode, this key is for pause or play. In FM mode, long press for 5 seconds to enter FM station search automatic.

10 Volume control

Press '+' and '-' to increase or decrease volume.

Color light function

5 seconds press on "LIGHT" button, shows " 2N" on display.

Short press "LIGHT" button to change color of LED light.

Press to convert one color at a time and it can be cycled and memorized (L0 shade, L1 all bright, L2-17 corresponding to different colors).

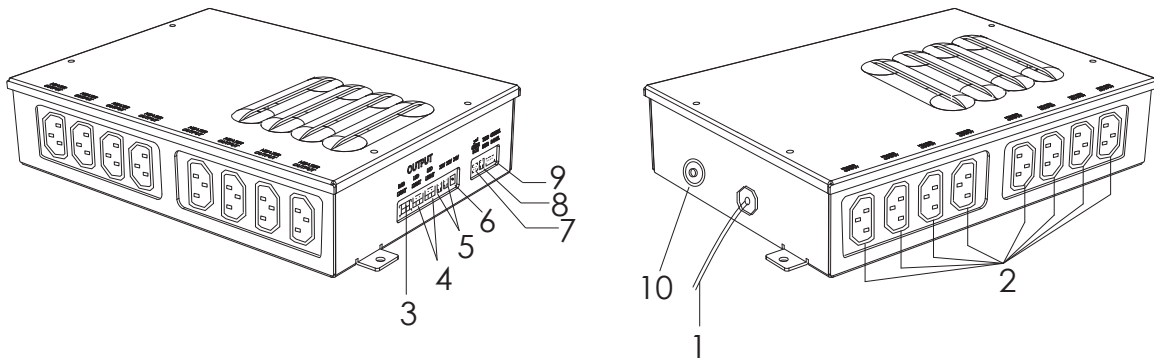
Quick press on TEMP+, can control LED 1 ON/OFF (if available).

Quick press on TEMP-, can control LED 2 ON/OFF (if available).

Quick press on TIME+/TIME-, can control RGB Light ON/OFF (if available).

Some products may be slightly different from the actual products.

Control box



This control box is the control center of sauna room, it is installed on the top board, input/output connections as below.

- | | |
|---|--|
| 1 Main power of sauna room. | 6 24V output |
| 2 Heaters power output cable (HT1--HT8) | 7 If necessary can connect another power box |
| 3 Reading lamp power output cable | 8 Temperature sensor connection port |
| 4 Color lamp power output cable(optional) | 9 Control panel connecting |
| 5 12V output | 10 Fuse reset(20A) |

Maintenance

Before using

1. Please be sure to follow the instruction manual before operations;
2. Prepare a towel on the seat bench to prevent sweat from dripping onto it. To avoid affecting the quality and beauty of wood.

After using

1. Please unplug the power plug in time;
2. Open the door to let the heat and humid water vapor dissipate and keep the sauna cabin dry.

Stain on wood

1. The outer cabin can be wiped with a wrung wet towel; The inner cabin can be wiped by small vacuum cleaner.
2. Do not use organic solvents to decontaminate, such as gasoline, alcohol, etc. wipe the sauna surface;
3. Do not use sharp objects in sauna cabin to prevent scratching woods.

Stain on glass

1. Wipe the glass with soft paper;
2. Stubborn stains can be wiped with a damp cloth, then dry with a dry cloth;
3. Do not scratch the surface with a sharp object to prevent scratching the glass.

Transportation and storage

1. Avoid water, snow and intense impact during the transportation;
2. Do not store it in a humid environment;
3. The northern climate is relatively dry, often wipe the product with a wrung wet towel;
4. The climate in the south is relatively humid and can be ventilated and dried frequently.

Trouble shooting

Number	Problems	Possible reasons	Countermeasure
1	Indicator light for powersupply not working	The connector is not connected properly	Check the connector or replace a new one
		No power supply input	Chick the circuitry (especially weather there is power supply input)
		Indicator light is broken	Replace the circuitry panel
2	Indicator light for function is not working	The heating indicator light is broken	Replace the relevant control panel
		The circuit board or components are broken	Replace the circuit board
		The temperature sensor is broken	Check if the connect is loosen and replace it
3	Infrared Heater not heating up	The heater is broken	Replace with a new one Of the same specifications
		The wire junction or the heater's wire is loosen	Check and make them tight
		The temperature sensor is broken	Check if junction of the temperature sensor is loosen and replace it
		The circuit board of the relay is not work	Replace the circuit board
4	Odor from the sauna	The circuit's problems	<ol style="list-style-type: none"> 1) There is eyewinker around, remove it 2) Some heater's temperature over high,cut off the power supply,replace it. 3) Parts on the circuitry is broken

Trouble shooting

Number	Problems	Possible reasons	Countermeasure
5	Light bulb is not working	Light bulb is burned out	Replace the light bulb
		Light bulb wiring is loosen	Replace the lamp holder
		Problems with electrical control panel	Repair or replace it
6	Sauna is not power up	Power cord is unplug	Plug back power cord to outlet
		Outlet has no power	Check outlet or circuit breaker
		Power supply or circuit panel is broken	Replace the power supply or related circuitry board
7	Music Player doesn't work	Power connector is loose or damage	Check connector or replace it
		DC power supply is no power to the music player	Check DC power supply wiring or replace the power supply
		Music player is defective	Replace the music player
8	Speaker does not work	The speaker is broken	Replace with a new one of the same specifications
		The speaker wire is loosen	Reconnect the speaker wire
		The power indicator light for music player is off	Turn on the switch to start work
9	The temperature display show "Er1"	NTC open circuit, wire is not well connected	Check and well connect
10	The temperature display show "Er2"	NTC open circuit	Change Thermostat
11	The temperature display show "Er3"	Under -15°	Can't be functional under too low ambient temperature
12	The temperature display show "Er4"	Thermostat breakdown	Change Thermostat

Infrared Sauna

Operating instruction